

# \*ZED Link Quad Capture Card

## GMSL2

### Deserializer board

Compatible with NVIDIA Jetson AGX Orin™,  
AGX Xavier™ Developer Kit

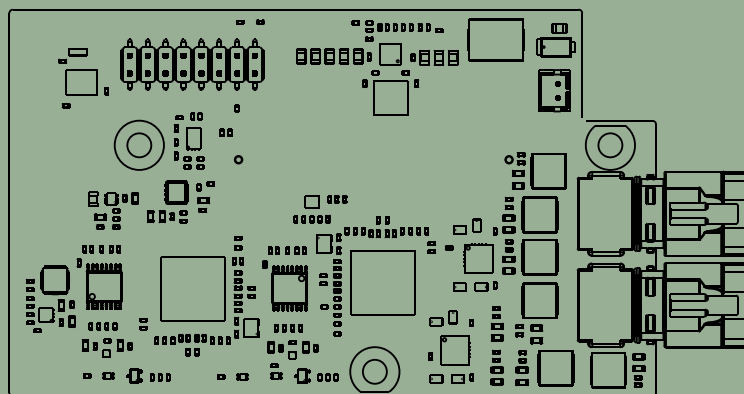
Supports up to 4 ZED X/ ZED-X Mini cameras  
and 4 ZED X One mono cameras

Requires external 9V to 19V power supply

Deserializer: 2 x Maxim MAX96712

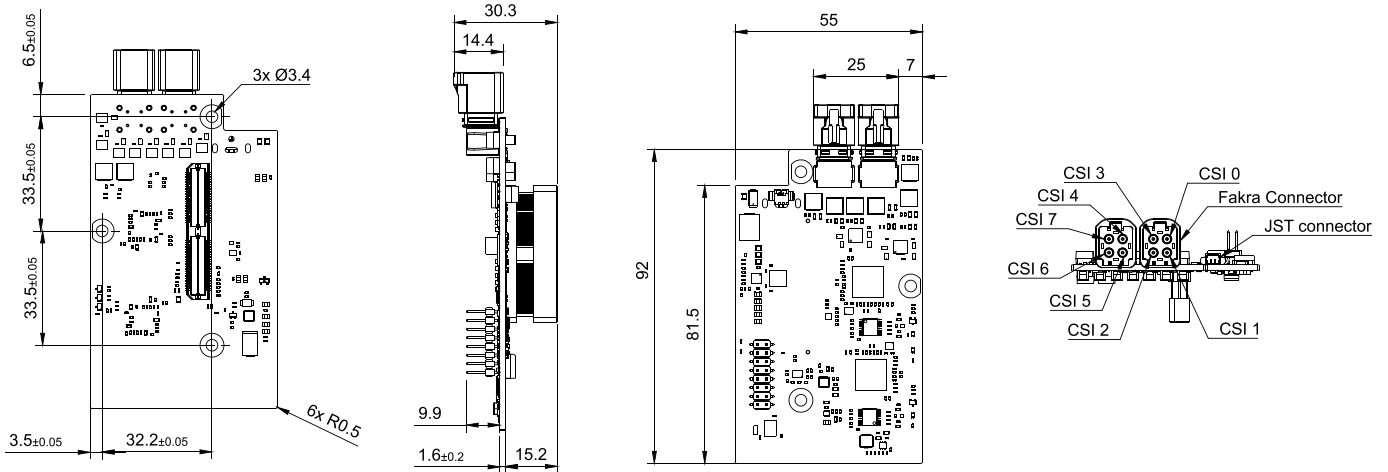
Operating temperature: -20°C ~ +75°C

Weight: ~ 55 g



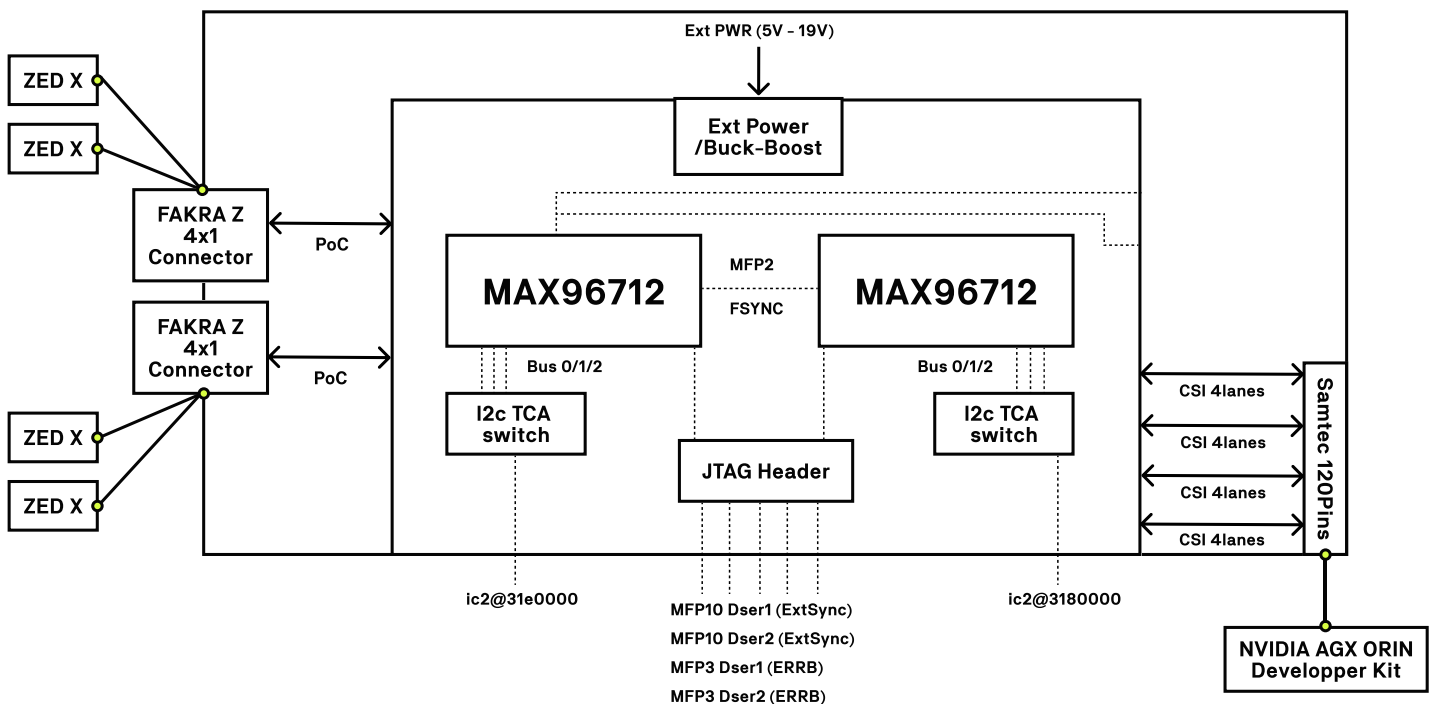
# \*ZED Link Quad Capture Card Technical Specifications

## Dimensions



NOTA  
Other unmarked tolerances are ±0.3mm

## Functional diagram

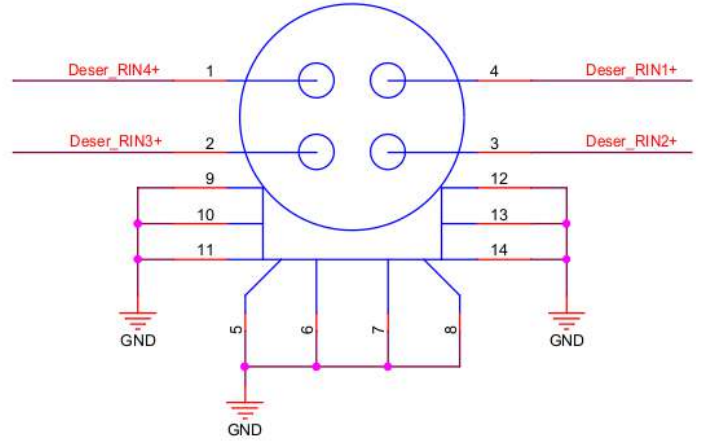


# \*ZED Link Quad Capture Card Interfaces

## Interface J1 & J2 (Fakra Z 4x1)

Part number TE 1-2304168-9

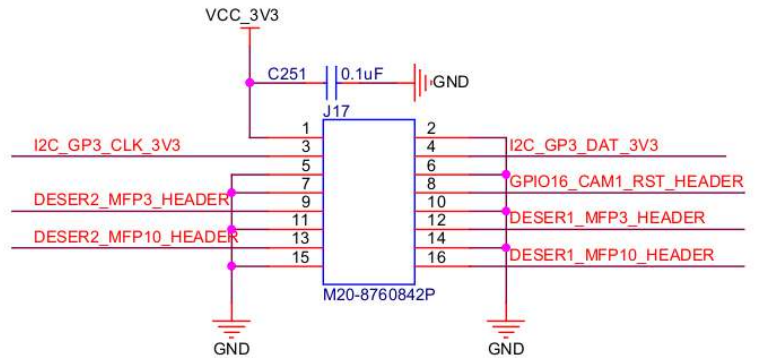
2x 4 GMSL2 I/O



## Interface J17 (GPIO Header)

Part number Harwin M20-8760842P

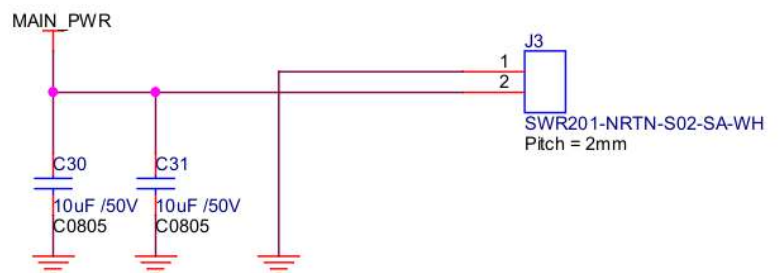
16 pins 2.54mm pitch



## Interface J1 External (5V - 19V)

Part number SWR201-NRTN-S02-SA-WH or B2B-PH-K-S

Pitch 2 mm



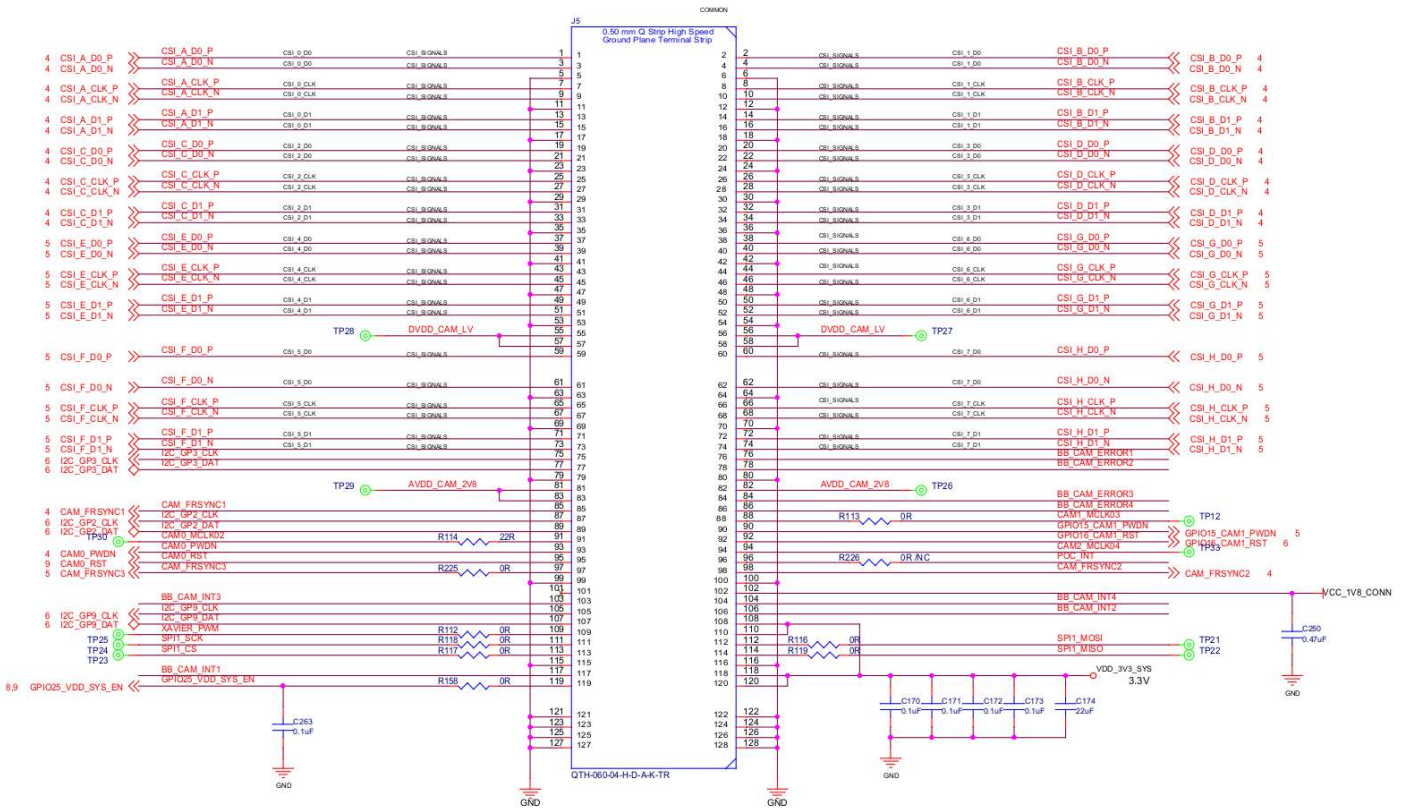
# \*ZED Link Quad Capture Card Interfaces

## Interface J5 (Samtec to AGX)

Part number Samtec QTH-060-04-H-D-A-K-TR

Can be used with Orin AGX and Xavier AGX Developer Kits

16mm board to board distance



## Interface J501 (Samtec to AGX)

Revision	Description	Release date
1.0	First release	03/21/2023