

*ZED Link Duo Capture Card

GMSL2

Deserializer board

Compatible with NVIDIA Jetson AGX Orin™,
Orin™ NX and NANO Developer Kit

Compatible with NVIDIA Jetson AGX Xavier™,
Xavier™ NX and NANO Developer Kit

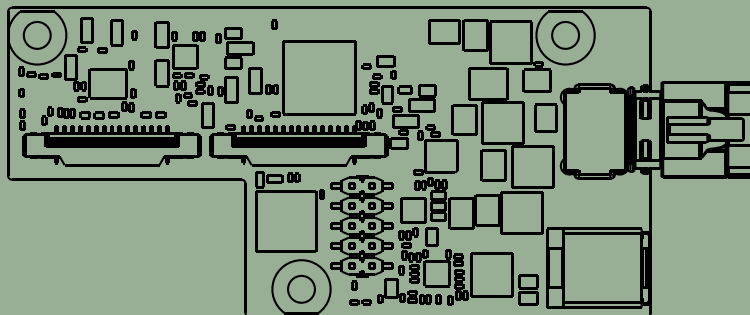
Supports up to 2 ZED X/ ZED-X Mini cameras
and 2 mono cameras

Supports external 14V-19V DC power supply

Deserializer: Maxim MAX96712

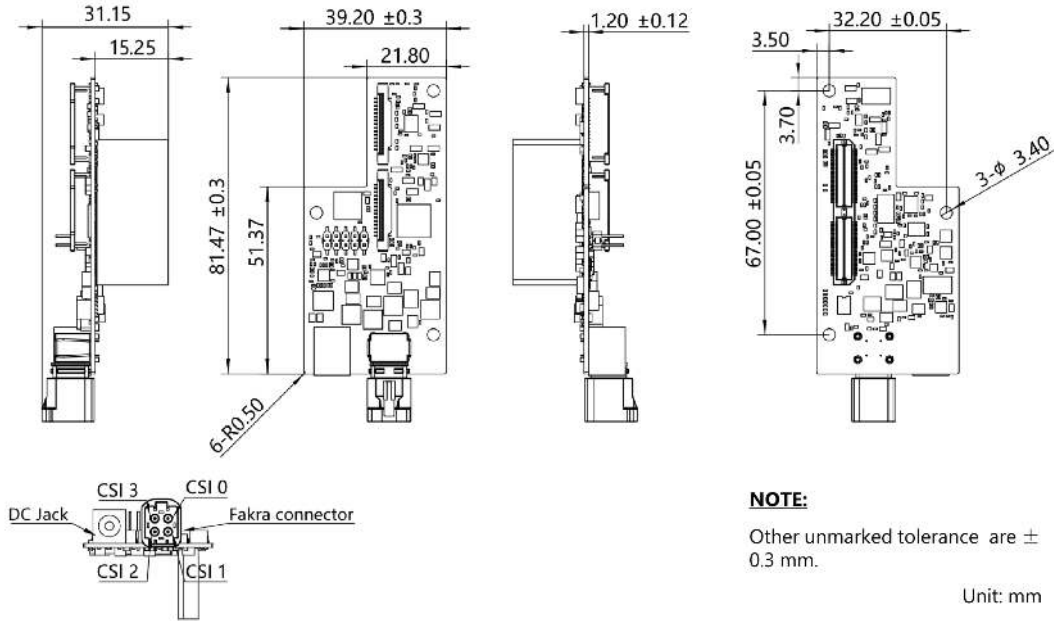
Operating temperature: -20°C ~ +85°C

Weight: ~ 30 g

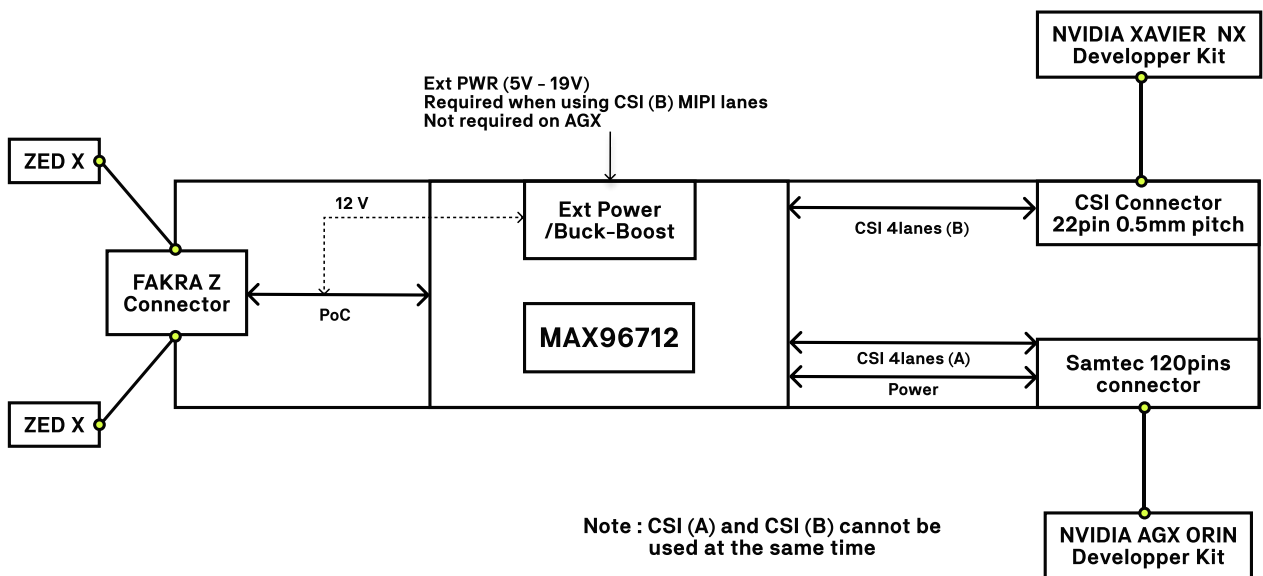


*ZED Link Duo Capture Card Technical Specifications

Dimensions



Functional diagram

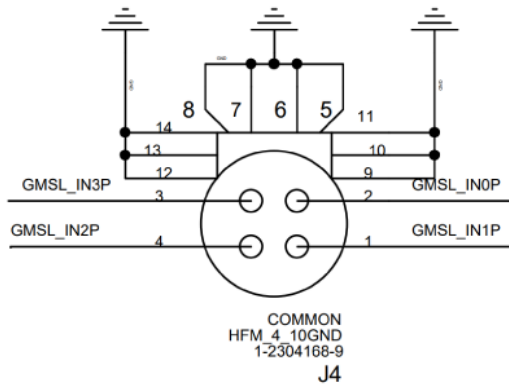


*ZED Link Duo Capture Card Interfaces

Interface J4 (Fakra)

Part number 1-2304169-Q

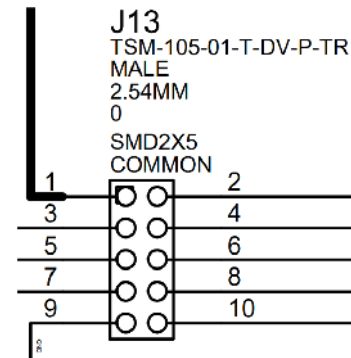
4 pins



Interface J13 (GPIO Header)

Part number TSM-105-01-T-DV-P-TR

10 pins



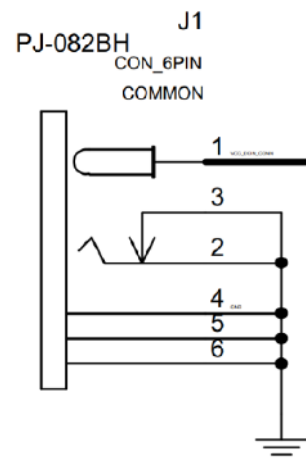
Interface J1 (External 19V)

Part number J-082BH

DC Jack

Inner diameter : 2.5mm

Outer diameter : 6.5mm



*ZED Link Duo Capture Card Interfaces

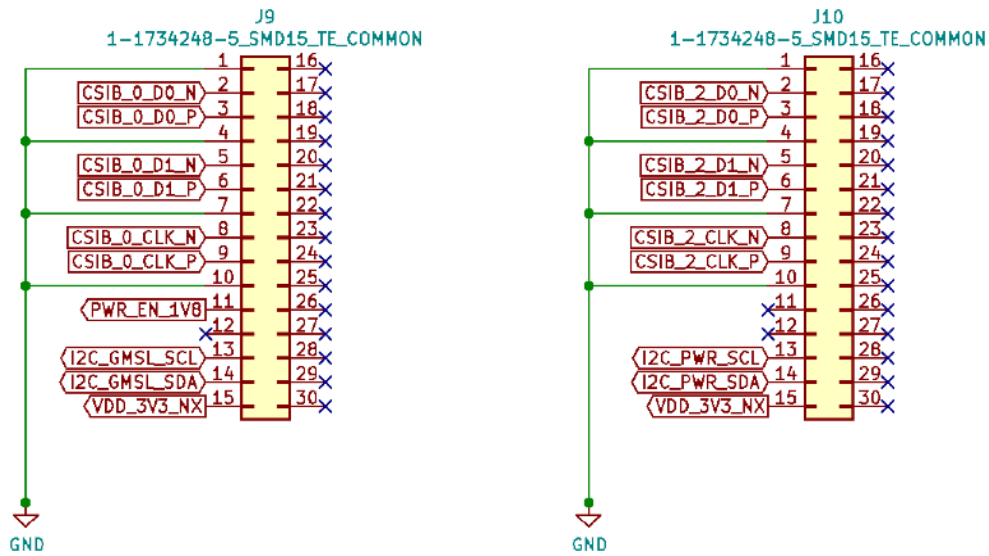
Interface J9 and J10 (MIPI CSI 15 pins)

Part number 1-1734248-5

2x15 pins

Can be connected to Jetson Orin™ and Xavier™ NX and Nano Developer Kits using Arducam 15 to 22 MIPI cables

Cannot be used simultaneously with the Samtec 120 pins connector J501mm



*ZED Link Duo Capture Card Interfaces

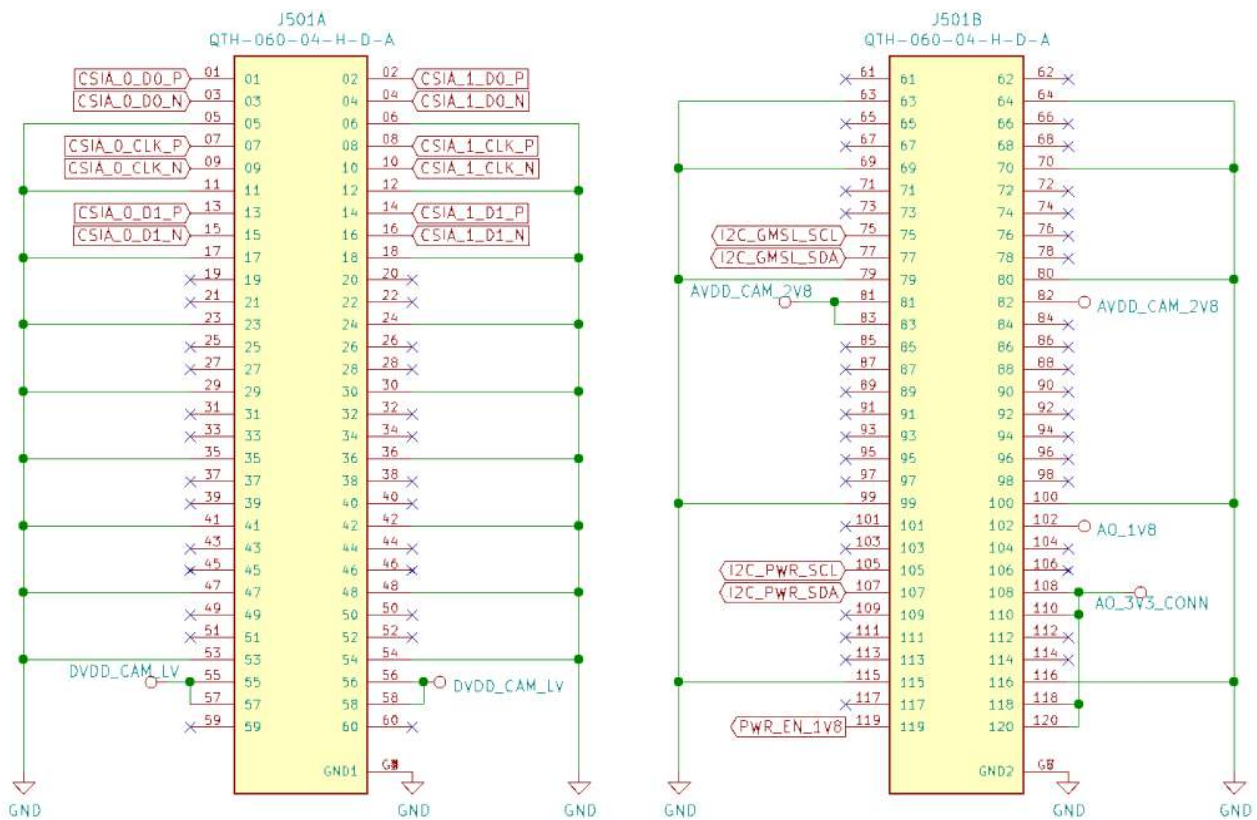
Interface J501 (Samtec to AGX)

Part number QTH-060-04-H-D-A-TR

120 pins

Can be used with Orin AGX and Xavier AGX Developer Kits

16mm board to board distance



Interface J501 (Samtec to AGX)

Revision	Description	Release date
1.0	First release	03/21/2023